



PHOS 25 indoor is equipped with the latest LED technology and is passively cooled without a fan. This budget-priced entry level model is suitable for dry indoor environments and can optionally be mounted on tabletops, shelves, ceilings or walls. The projector is perfect for applications in small shops, doctors' offices and chemist's shops, where an operation with low heat emission is essential. The projection motif (gobo) can be changed without tools.

Construction

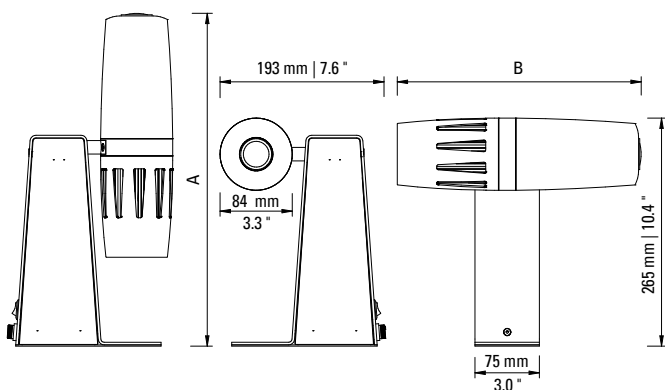
housing: aluminium, steel, powder coated
 weight (standard equipment): 2.88 kg | 6.35 lbs
 On / Off switch: at the back of the unit
 IP-rating of the housing IP 20

Operating Conditions

application area dry interiors
 ambient temperature: -30°C - +35°C
 cooling: passive, noiseless, 0 dBA

Light Source and Optics

light source: High Power LED, 22 W
 luminous flux of the projector: 1,574 lumens
 efficiency 58 lumens / watt
 colour temperature: 6,300 – 6,700 K
 colour rendering index: Ra >70
 estimated lifetime of the LED (L70): 35,000 operating hours
 projection lens: Standard Lens, f=85 mm (included)
 gobo size / image size: Ø 50.0 mm / Ø 40.0 mm
 photobiological safety (ICE62471-5:2015, EN62471-5:2015): RG-2



Projection Lens	Height A	Width B
Extra Wide Angle, f=45 mm	411 mm 16.2 "	317 mm 12.5 "
Wide Angle, f=63 mm	377 mm 14.8 "	283 mm 11.1 "
Standard, f=85 mm	383 mm 15.1 "	289 mm 11.4 "
Telephoto, f=135 mm	452 mm 17.8 "	358 mm 14.1 "

Electrical Specifications

input voltage: 110 - 120V AC, 50/60 Hz
 power consumption: 27 W
 power factor: 0.9 cos. φ
 electrical protection class: I
 max. number of devices per circuit breaker B16A/C16A: 50/85
 device is dimmable: no

Item No.: 20025110 (white), 20025120 (black), 20025130 (silver)

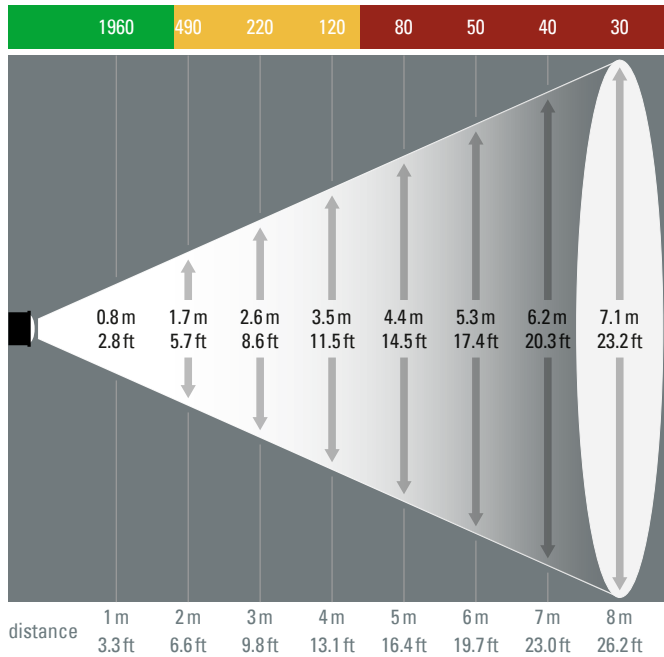
Additional Accessories: individual glass gobo according to your digital artwork, Extra Wide Angle Lens, f=45 mm, Wide Angle Lens, f=63 mm, Telephoto Lens, f=135 mm



PHOS 25 indoor – Photometric Diagrams

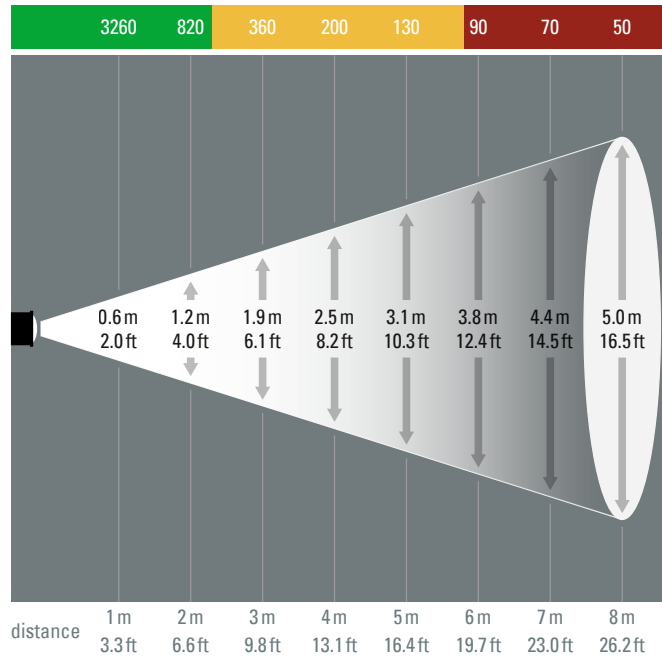
PHOS 25, Extra Wide Angle Lens, f = 45 mm, 48°

illuminance [lux]



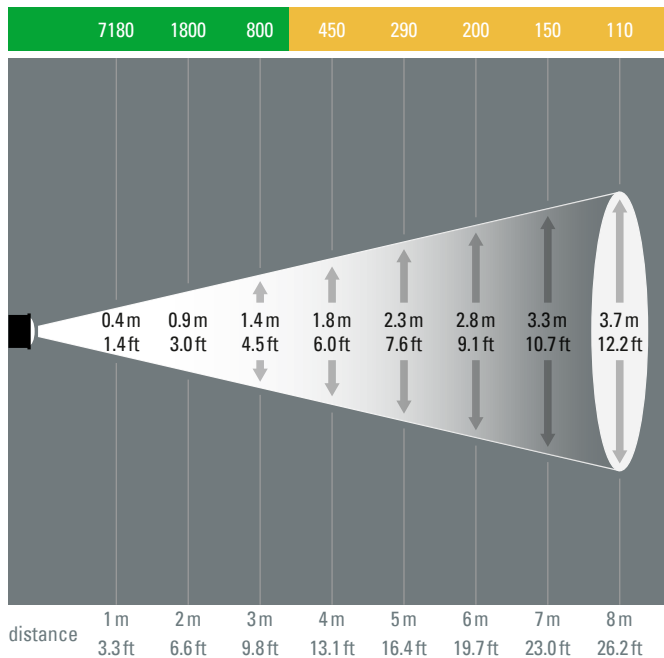
PHOS 25, Wide Angle Lens, f = 63 mm, 35°

illuminance [lux]



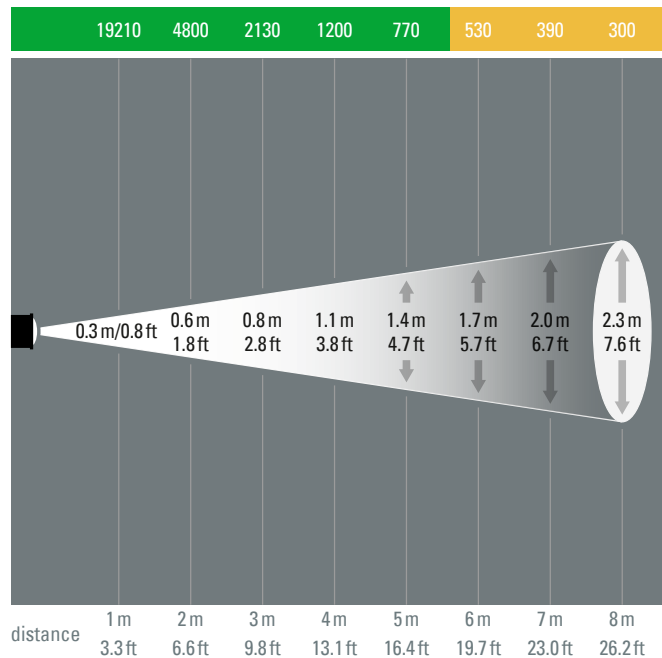
PHOS 25, Standard Lens, f = 85 mm, 26°

illuminance [lux]



PHOS 25, Telephoto Lens, f = 135 mm, 17°

illuminance [lux]



Brightness Colour Coding:

- = with standard room lighting, suitable for coloured motifs
- = in low-light rooms, for motifs without colour
- = recommended only in darkened rooms

- The results shown are approximate values. The result may differ slightly in reality.
- The projection sizes indicate the maximum diameter that can be projected with a Ø 40 mm image.
- The projection motif is circular and fills the image area of the gobo. Other objects, e.g. rectangles or texts are fitted into the circular projection area.
- The projection is at right angles to the projection surface.

Detailed projection calculator at: www.derksen.de

derksen®
lichttechnik

Derksen Lichttechnik GmbH
Johannes-Rau-Allee 4
45889 Gelsenkirchen
Germany

Tel.: +49 209 98070-0
info@derksen.de
www.derksen.de