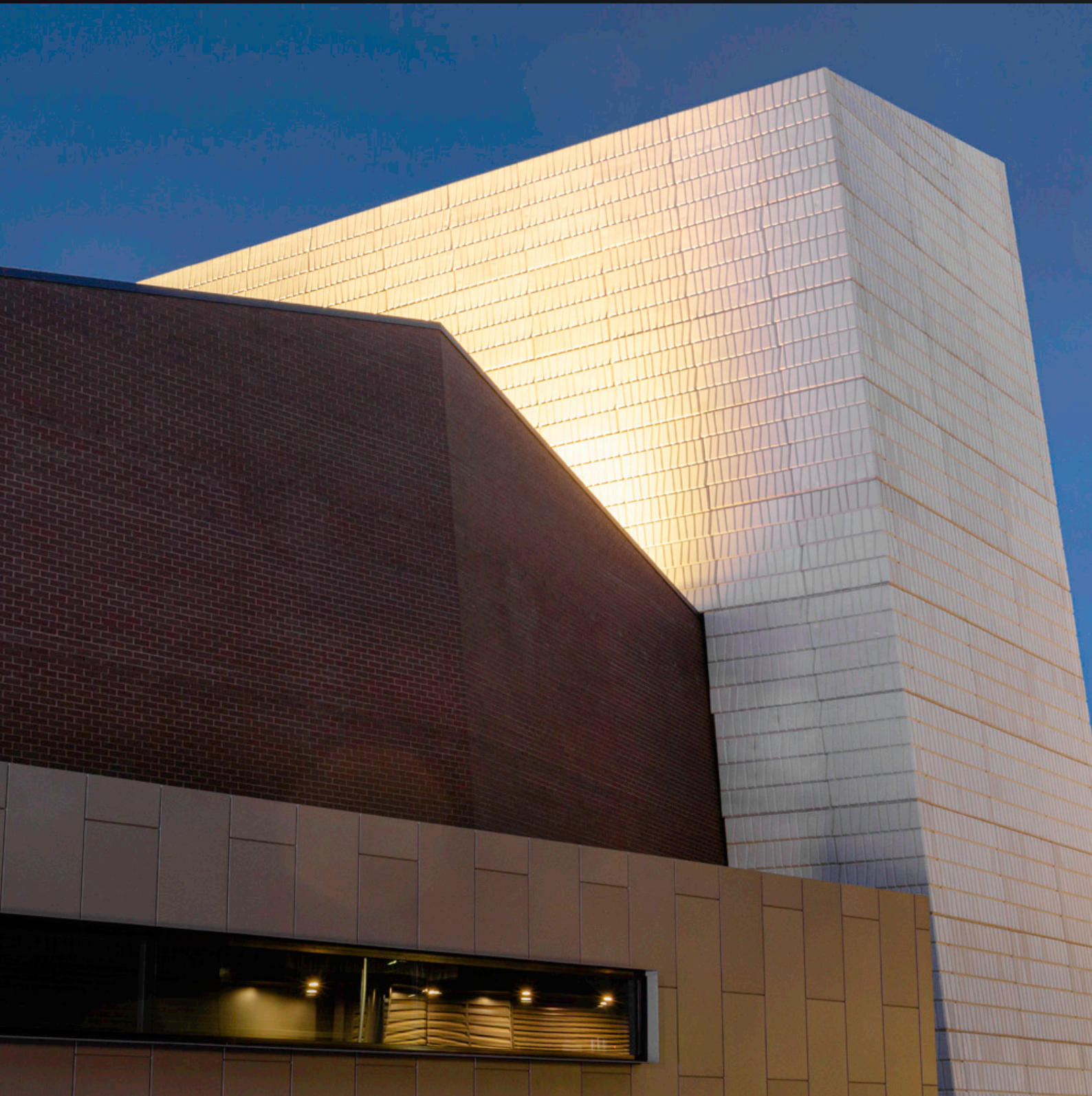
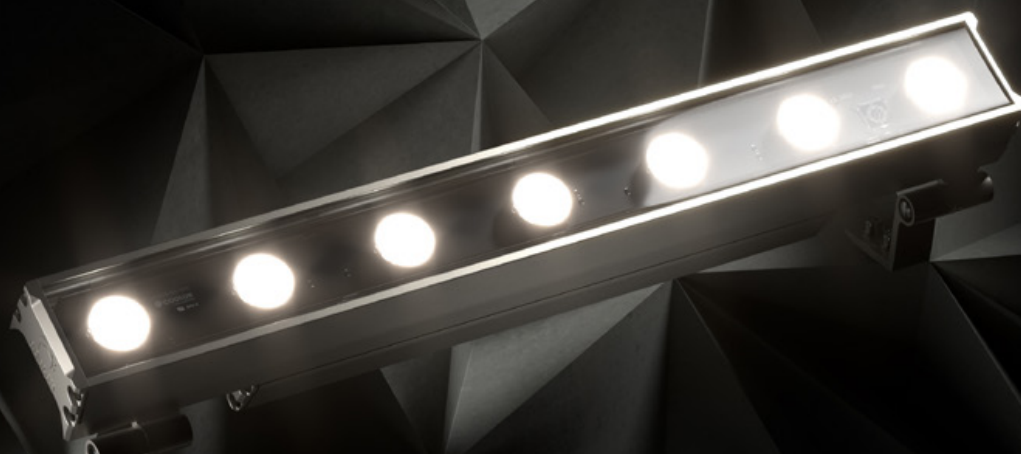




ARIA X

LINEAR AC FLOODLIGHT PRJ-ARIA X





Aria X is a high power linear AC floodlight luminaire, specifically designed for creative wall washing and grazing applications. Powerful, robust and available in multiple length options which allow for greater design flexibility. The luminaire features an integral power supply and DALI / 0–10V driver.

POWER (AC)

46W

46W / 600mm unit

LUMINOUS FLUX



Varies with colour temperature

COLOUR TEMPERATURE

2700K

3000K

4000K

POLYURETHANE ENCAPSULATION

Aria X utilises Coolon's encapsulation technology to deliver a truly extraordinary outdoor luminaire. IP66 and IK08, shock and abrasion resistance, thermal protection and reliability are all ensured.

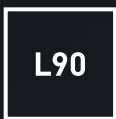
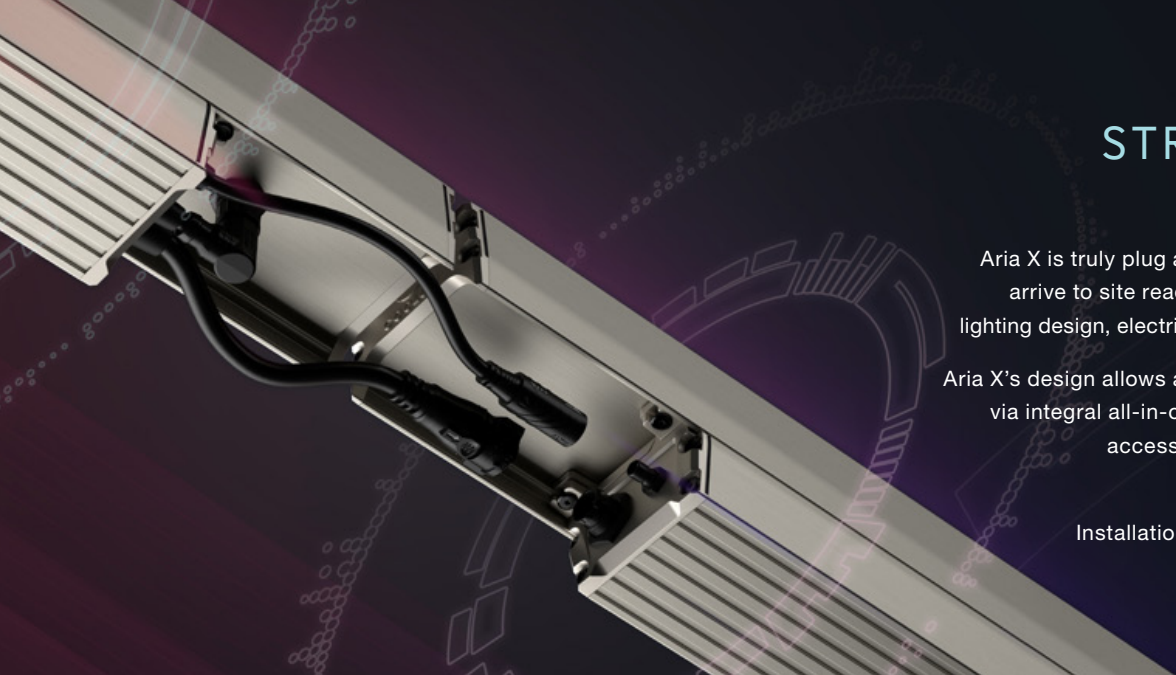


STREAMLINED TOPOLOGY

Aria X is truly plug and play - your luminaires arrive to site ready to perform, simplifying lighting design, electrical layout and installation.

Aria X's design allows a system to be connected via integral all-in-one cables without further accessories and junction boxes.

Unpack. Connect. Enjoy.
Installation has never been simpler.



LONG OPERATING LIFE

Coolon products use the world's most reputable LED manufacturers and the latest available standards to adequately report lumen maintenance. We strive to drive LEDs under their nominal current and use state-of-the-art heat dissipation methods, leading to durable electronics.



VARIOUS CCT & COLOUR BINNING CONSISTENCY

All products are offered in various colour temperatures, and manufactured using tighter bins, ensuring excellent consistency and uniformity.



5 YEARS WARRANTY

Coolon luminaires are covered by a solid comprehensive manufacturer's warranty that covers a range of possible defects and performance parameters throughout the duration of the warranty period.



PROUDLY MADE IN AUSTRALIA

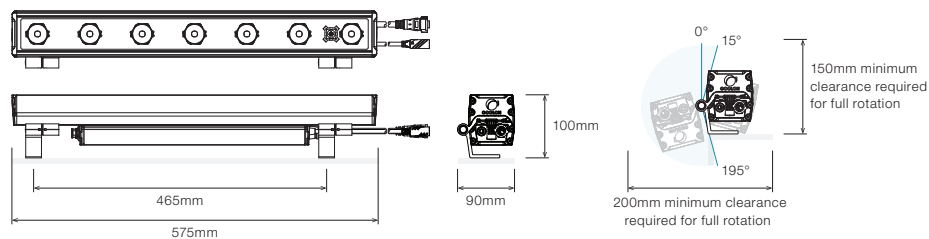
Our products are designed and manufactured in Australia. Engineered to perfection, using only the highest quality components and highly skilled labour, each luminaire is assembled and thoroughly tested to ensure that it exceeds the highest standards.

■ TECHNICAL SPECIFICATIONS

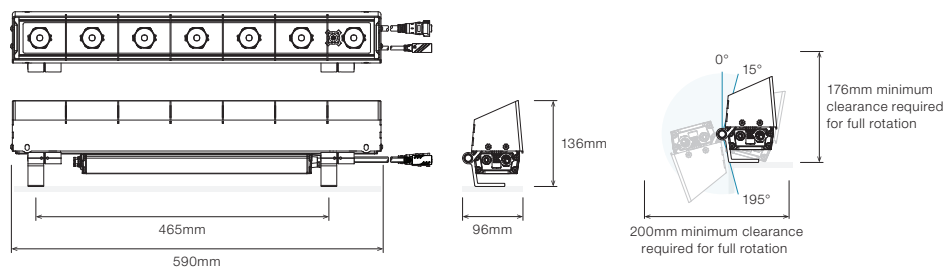
Product Code	PRJ-ARIA X-06
Variation	Static White
Length	600mm
Nominal Power	46W
Body	Aluminium Alloy Body
Finish	Brushed Natural Anodized
Cover	Polyurethane
Endcaps	Powdercoated Die-cast Aluminium
Weight	4.2kg
LEDs per Luminaire	7 clusters of 4 Nichia E17 (24 pieces per luminaire)
Input Voltage	120 – 250VAC
Input Frequency Range	50 - 60Hz
Power Factor (PF)	> 0.9 (At full Power)
Max. Inrush Current	< 200mA ² s @ 120V / 60Hz < 200mA ² s @ 230V / 50Hz < 200mA ² s @ 277V / 60Hz
Leakage Current	< 100 µA
Total Harmonics Distortion (THD)	< 2% (At full Power)
Max. Input Power	48W
Max. Continuous Connection Length	Up to 40 Units @ 230VAC Up to 20 Units @ 120VAC
Dimming / Control	Through DALI-2 Device Type 6 / 0–10V
External Heatsink Required	No
Ambient Operating Temperature	Ta -40°C to 50°C
Reported Lumen Maintenance	NCSLE17A
TM21-11 (@ Ts = 85°C, If = 700mA)	L90 (10K) = 32,200 hours L70 (10K) > 60,000 hours Aria X Max. operating values (@ Ts = 70°C, If = 680mA)
IP Rating	IP66 (Standard)
IK Rating	IK08 (Standard) - Not including Wiring / Connectors

▪ DIMENSIONS

WITH ROTATING BRACKET



WITH ROTATING BRACKET AND GLARE SHIELD



CONNECTOR PIN-OUTS



Power Output
(Female)



Power Input
(Male)

- ① Active
- ② Neutral
- ③ Earth

DIMMING CONTROL

DALI Single White



Control Output
(Female)



Control Input
(Male)

- ① DALI (+)
- ② DALI (-)
- ③ NC

DIMMING CONTROL

0 – 10V Single White



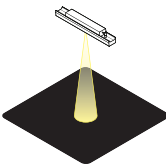
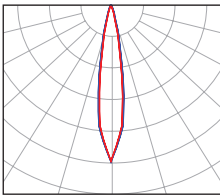
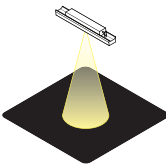
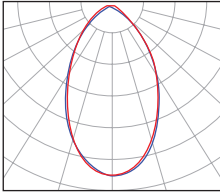
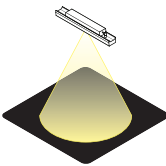
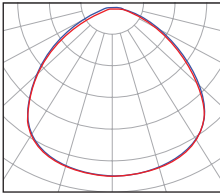
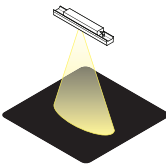
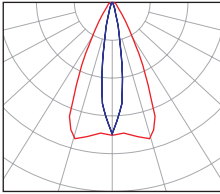
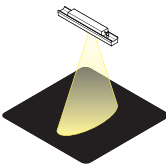
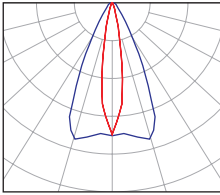
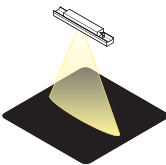
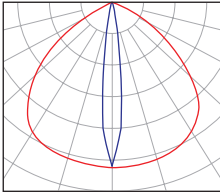
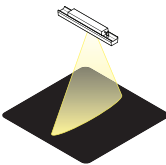
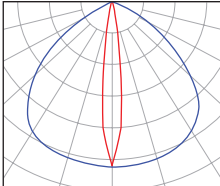
Control Input
(Male)

- ① 0-10V (+)
- ② 0-10V (-)
- ③ NC

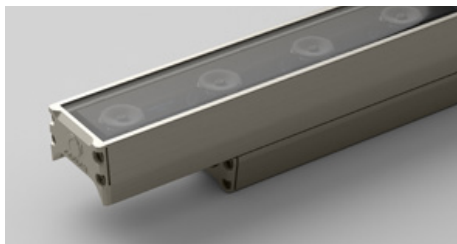
▪ LUMEN OUTPUT

		13D	14D	15D	30D	56D	O3615D	RO3615D
ARIA X	■ 2700K	3,173 lm	3,339 lm	3,425 lm	2,812 lm	2,992 lm	2,993 lm	2,993 lm

■ POLAR DISTRIBUTION

OPTIC		POLAR DISTRIBUTION
<p>20D Narrow Beam 20° Beam Angle</p>		
<p>30D Medium Beam 30° Beam Angle</p>		
<p>52D Wide Beam 52° Beam Angle</p>		
<p>O3215D Oval Beam Oval 32° x 15° Beam Angle</p>		
<p>RO3215D Oval Rotated Beam Oval 15° x 32° Beam Angle</p>		
<p>O6015D Oval Beam Oval 60° x 15° Beam Angle</p>		
<p>RO6015D Oval Rotated Beam Oval 15° x 60° Beam Angle</p>		

- PROFILE COLOUR

BNA - Brushed Natural Anodised**BLK** - Black

- IP RATING

IP66

Fully protected against dust.
Protected against wave-like
water jets from all directions.

ORDERING EXAMPLE

PRJ - ARIA X - 3.0K - O3215D - BNA - DT6SW



■ COLOUR TEMPERATURE

2.7K	2700K
3.0K	3000K
4.0K	4000K

■ OPTICS

20D	20° Beam
30D	30° Beam
52D	52° Beam
O3215D	Oval 32° x 15° Beam
RO3215D	Oval 15° x 32° Beam
O6015D	Oval 60° x 15° Beam
RO6015D	Oval 15° x 60° Beam

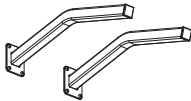
■ PROFILE COLOUR

BNA	Brushed Natural Anodised
BLK	Black

■ DIMMING CONTROL

DT6SW	DALI Single White
010	0 – 10V Single White

■ ACCESSORIES

	PRODUCT CODE	DESCRIPTION
MOUNTING BRACKET ¹		
	MBR-PRJ-ARM-500	Outreach Arm 500mm
	MBR-PRJ-ARM-850	Outreach Arm 850mm
	MBR-PRJ-ARM-1000	Outreach Arm 1,000mm

¹ Two Outreach Arms required per luminaire.

ACCESSORIES

ACC-ARIA-SPK-06	Bird Spikes 600mm length
ACC-ARIA-GSH-06	Glare Shield 600mm length

CABLE EXTENSIONS



CBLKIT-MADA-L-IP68-5M	Cable Kit Mains & Data – Extension – IP68 – Leader + 5M Extension
CBLKIT-MADA-J-IP68-5M	Cable Kit Mains & Data – Joiner – IP68 – 5 Metre
CBLKIT-MADA-J-IP68-06M	Cable Kit Mains & Data – Joiner – IP68 – 0.6 Metre Kit Designed for connection of 1,200mm units end-to-end
CBLKIT-MADA-CAPS	Cable Kit Mains & Data – CAPS